

RAINSTOPPER MEASUREMENT WORKSHEET

CONTACT _____ PHONE _____ EMAIL _____

Dimensions	Frame and Cover Size				
	1	2	3	4	5
OD					
ID					
DD					
DH					
TOTAL UNITS					
Options					
Pan, HDPE					
Pan, stainless steel					
Handle, nylon					
Handle, stainless steel					
Optional EL gasket					

INSTRUCTIONS

1. Review this short video (<https://www.youtube.com/watch?v=mkwDyEv4NVg>) on manhole measurement.
2. Measure and record the frame diameters OD and ID (see Figure 1) to the nearest 1/16" using the pivot-sweep method (see Figure 2).
3. For manholes with covers that include drop rings, also measure and record the drop ring dimensions DD and DH (see Figure 3) to the nearest 1/16".
4. Repeat Steps 2 and 3 for every manhole in your project.
5. Group each frame and cover by equal sizes (group 1, 2, 3, 4, or 5).
6. Enter the OD, ID, DD, and DH for each group, above.
7. Enter the total number of units for each group.
8. Enter the number of pans by material (HDPE, SS), handles by material (SS, nylon), and optional EL gaskets.
9. Scan the completed Rainstopper Measurement Worksheet and email to: rainstoppers.orders@gmail.com. We will reply with a price and delivery estimate.

Figure 1. Frame Dimensions

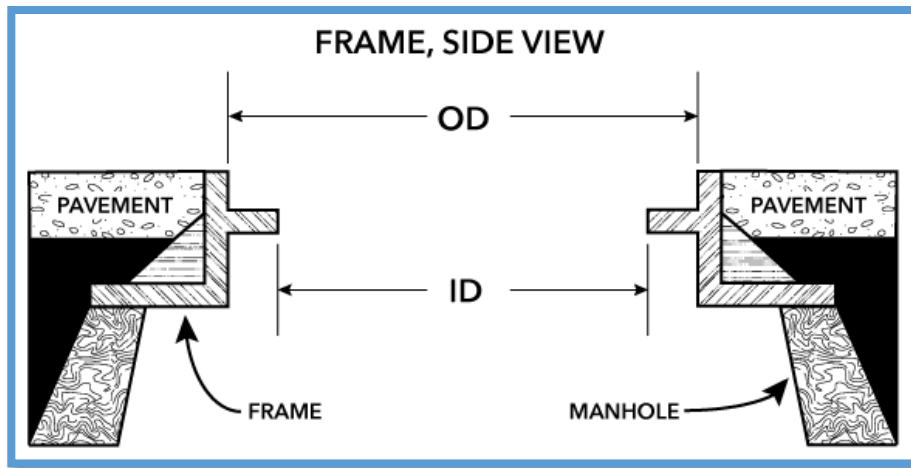


Figure 2. Diameter Measurement

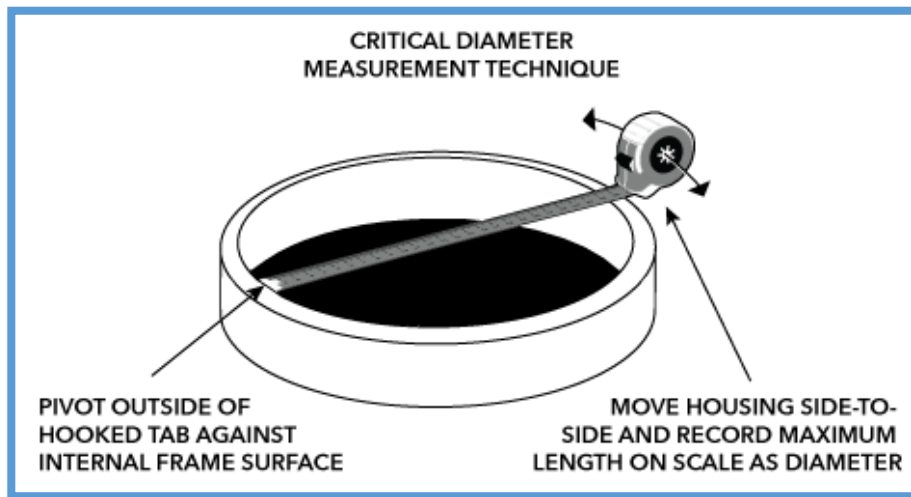


Figure 3. Drop Ring Dimensions

